

# TV-600 Series

## HEAVY DUTY GRADE 1-1/8" INTERNAL SOLENOID TANK 重型1-1/8" 内置电磁阀式瓶口阀

### Key Features Low profile body design

GFI has applied its patented GFI 2" in-tank solenoid technology into a new 1-1/8" Heavy Duty TV600 Series. This new valve has been designed specifically for large capacity multiple tank systems by increasing the fill rate over 70% greater than our current 2" valve and is now configured to be installed on common 1-1/8" neck cylinders. All this performance along with the safety and reliability of having the solenoid inside the cylinder to protect it from impact and environmental conditions to ensure a longer life.

- Over 70% increase in fill rate compared to our standard 2" tank valve
- The solenoid coil is located inside the cylinder, providing impact and environmental protection.
- High Flow Pilot temperature activated pressure relief device (T-PRD)
- Cadmium free eutectic or glass bulb available models
- Parallel P-PRD (burst disk) option available
- Dedicated defueling port option available
- 12V and 24V solenoid coil options available (with saturation or peak and hold control)
- Constructed from light weight forged aluminium
- Patented crasworthy design
- Suitable for all cylinder types

### 主要特性

GFI用专利技术的2" 内置电磁阀式瓶口阀技术设计一款可以用在重型车辆上的1-1/8" TV600系列产品。这款新的产品专门为大容量、多气瓶系统设计，相比当前2"的瓶阀可以增加70%的充气量，并且可以安装在普通的1-1/8" 气瓶上。不仅可以保护它们不受外界碰撞的影响，而且可以避免温度冲击、水侵或腐蚀等外界环境影响，寿命长。

- 相比标准2" 瓶阀，可以增加70%的充气率；
- 电磁切断阀位于气瓶内部，不受外界碰撞和环境的影响；
- 集成温度型大流量压力释放阀；
- 可以选装非镉式易熔金属或者温控玻璃管模块；
- 可以选装爆破片和T-PRD平行布置；
- 可以选装独立的放气孔；
- 兼容12V或者24V系统，支持饱和电流或者拉升保持的控制方式；
- 轻量化锻铝机体；
- 专利防撞技术；
- 支持所有型号气瓶。



Engineered to meet International Standards and Regulations

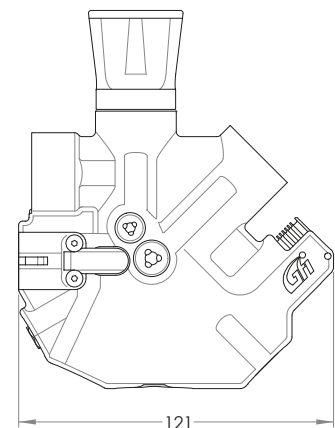
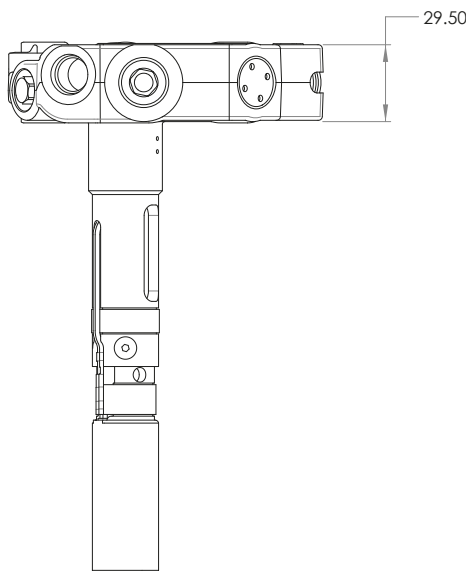
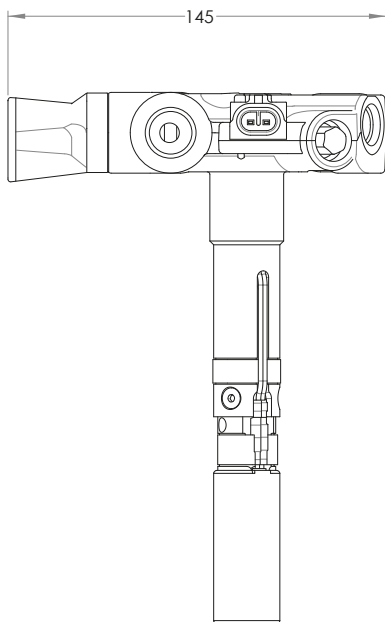
- Including ANSI HGV 3.1/HPRD 1, ECE R134, EC 79/2009, and UL 2267.

All designs are subjected to rigorous qualification testing

- Including long-term endurance cycling, severe vibration, and accelerated cyclic corrosion.

# SPECIFICATIONS 技术参数

TV-600 Series			
<b>GENERAL INFORMATION 基本参数</b>			
APPLICATION 应用	CNG Tank Valve for Type 1 / Type 3 / Type 4 cylinders 适用于1/2/3/4类气瓶		
DESIGN 设计	Automatic, Internal Solenoid 自动, 嵌入式电磁阀		
BODY MATERIAL 机体材料	Forged Aluminum 锻铝		
FUEL TYPE 燃气类型	High Pressure Natural Gas (Validated with G20 and C25 CNG)		
<b>PERFORMANCE 性能</b>			
FLOW RATE (CV) 流量	1.5		
MAX WORKING PRESSURE 最大工作压力	31 MPa (4,500 psig)		
WORKING TEMPERATURE 工作温度	-40°C to 85°C (-40°F to 185°F)		
T-PRD	Design 工作原理	Eutectic (Cadmium Free) 易熔合金	Glass Bulb 温控玻璃管
	Activation Temp 激活温度	109 +/- 1.5°C (228°F)	110 +/- 10°C (230°F)
	Venting performance 泄压口面积	Minimum area equivalent to 9 mm orifice	
BURST DISK (OPTION) 爆破片 (可选)	Available* 可选		
EXCESS FLOW DEVICE (EFD) 溢流阀	No		
SOLENOID 电磁阀	Voltage 额定电压	12 V	24 V
	Power Consumption 额定功率	7.5 W	
	Control 控制	Saturated or PWM 饱和电流或者PWM	
LEAKAGE 泄漏	<10 <sup>-4</sup> mBar l/s Helium, external (<10 <sup>-3</sup> mBar l/s Helium, internal) 外部泄漏<10 <sup>-4</sup> mBar l/s, 内部泄漏<10 <sup>-3</sup> mBar l/s		
<b>CONNECTIONS 连接</b>			
CYLINDER CONNECTION 瓶口连接	1 - 1/8" UNF		
INLET/OUTLET THREAD TYPE 出口螺纹规格	3/4"-16 UNF, 9/16"-18 UNF, M14x1		
VENT THREAD TYPE 泄压阀规格	3/4"-16 UNF		
ELECTRICAL CONNECTOR 接插件	AMP Super Seal (2 Pin) (2针)		
LIVE PORT FOR REMOTE PRD 预留孔-远程PRD	Available** 部分型号可选		
DE-FUELING 放气	Available* 可选		
<b>APPROVALS 认证</b>			
CERTIFICATIONS 认证	NGV 3.1-14, ECE R110, ISO 15500		



\*All models  
\*\*Select models



ISO/TS 16949:2009 registered  
ISO 9001:2008 registered