

# PRD-100

## HIGH PERFORMANCE 2" END PLUG PRESSURE RELIEF DEVICES 高性能2" 瓶塞式压力释放阀

### Key Features

GFI 2" end plug pressure relief devices uses a design optimized for maximum heat transfer to create a fast acting high flow PRD. Pipe away T-PRD 9/16 SAE port, proven history of field service.

- 9/16 SAE T-PRD pipe away
- High flow fast acting design
- Cadmium free eutectic fuse technology
- Maximum working pressure 35 MPa
- Optional P-PRD burst disk with 9/16 SAE pipe away
- Working temperature -40°C to +85°C
- Light weight machined aluminium body
- PRD-1b-2007 Certified

### 主要特性

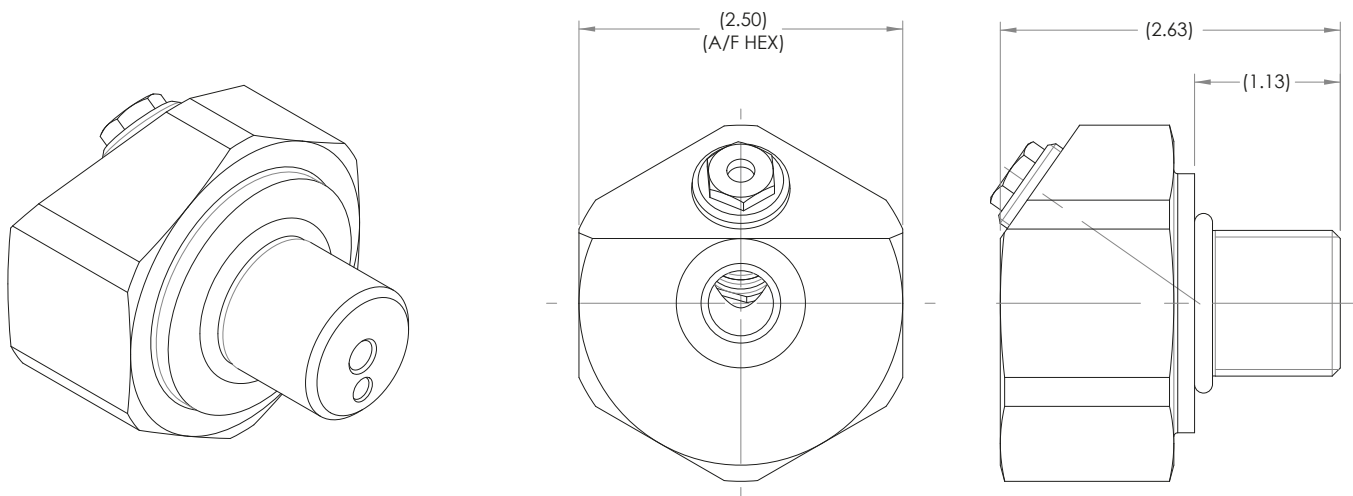
GFI的2" 瓶塞式压力释放阀系列产品设计时最大化了热量交换的速度，所以响应快，流量大。出口接头为T-PRD 9/16 SAE。

- T-PRD 9/16 SAE泄压管；
- 流量大，响应快；
- 非镉易熔合金技术；
- 最大工作压力35MPa；
- 可选配P-PRD爆破片式9/16 SAE泄压管；
- 工作温度范围-40°C to 85°C；
- 轻量化铝制机体；
- 认证：PRD-1b-2007。



# SPECIFICATIONS 技术参数

PRD-100	
<b>GENERAL INFORMATION 基本参数</b>	
APPLICATION 应用	CNG Tank End plug safety device for Type 1 / Type 3 / Type 4 cylinders Type 1 / Type 3 / Type 4型瓶阀式安全阀
DESIGN 设计	Automatic, Internal Solenoid 自动, 内部电磁阀
BODY MATERIAL 机体材料	Machined Aluminum, anodized MIL-A-8625 铝
FUEL TYPE 燃气类型	Natural Gas (Validated with G20 and C25 CNG) High Pressure Compressed Natural Gas
<b>PERFORMANCE 性能</b>	
MAX WORKING PRESSURE 最大工作压力	31.2 MPa (4,500 psig)
OPERATING 最大流量	25 MPa (3,600 psi)
WORKING TEMPERATURE 工作温度	-40°C to 85°C (-40°F to 185°F)
T-PRD OPERATION 激活温度	103°C to 108°C Eutectic
T-PRD (EUTECTIC CAD-FREE) ORIFICE 泄压孔直径	6 mm
BURST PRESSURE 爆破压力	>2.5 x working pressure >2.5倍工作压力
CORROSION/HUMIDITY 爆破片 (可选)	500 hrs salt spray B, 100 day cyclic corrosion 500小时盐雾, 100天干湿循环
VIBRATION 振动	As required by ISO, ECE, etc, plus various automotive OEM standards
LEAKAGE 泄漏	<10 <sup>-4</sup> mBar l/s Helium, external (<10 <sup>-4</sup> mBar l/s Helium, internal) 外部<10 <sup>-4</sup> mBar l/s; 内部<10 <sup>-4</sup> mBar l/s (氦气)
<b>CONNECTIONS 连接</b>	
CYLINDER CONNECTION 瓶口连接	2" UNF
<b>APPROVALS 认证</b>	
CERTIFICATIONS 认证	PRD1-2007
QUALITY 质量控制	Standard APQP protocol applicable. APQP质量体系 PPAP documentation to meet customer request.



ISO/TS 16949:2009 registered  
ISO 9001:2008 registered