

# P-200 Series

## HIGH PERFORMANCE OEM QUALITY CNG PRESSURE REGULATOR 高性能CNG减压器

### Key Features

Designed for compressed natural gas applications up to 25 Mpa (3,600 psi), the P200 Series Regulator delivers stable outlet pressures under varying engine demand and inlet pressures. The regulator is available in two models: the standard high flow version in addition to a lower flow/lower cost version, both of which are ideal for fuel injection and feature an optional manifold reference pressure barb for naturally aspirated or turbo-charged applications.

- Balanced design for stable outlet pressure at all tank pressures
- Integrated high pressure lock off
- Built-in pressure sensor
- Heavy duty design validated to over 1.8 million cycles
- Built-in high flow pressure relief
- Wide range of factory set output pressures available
- Certified to NGV 3.1, ECE R110 and ISO 15500 standards

### 主要特性

该款减压器专门为CNG设计，入口最大压力为25Mpa，即使发动机工况和入口压力不断变化，P-200系列减压器可以保持稳定的出口压力；该款CNG减压器有两个配置，一种为标准大流量，另外一种为小流量/低成本，不管是自然吸气还是涡轮增压发动机，这两种配置都支持进气歧管压力平衡系统功能。

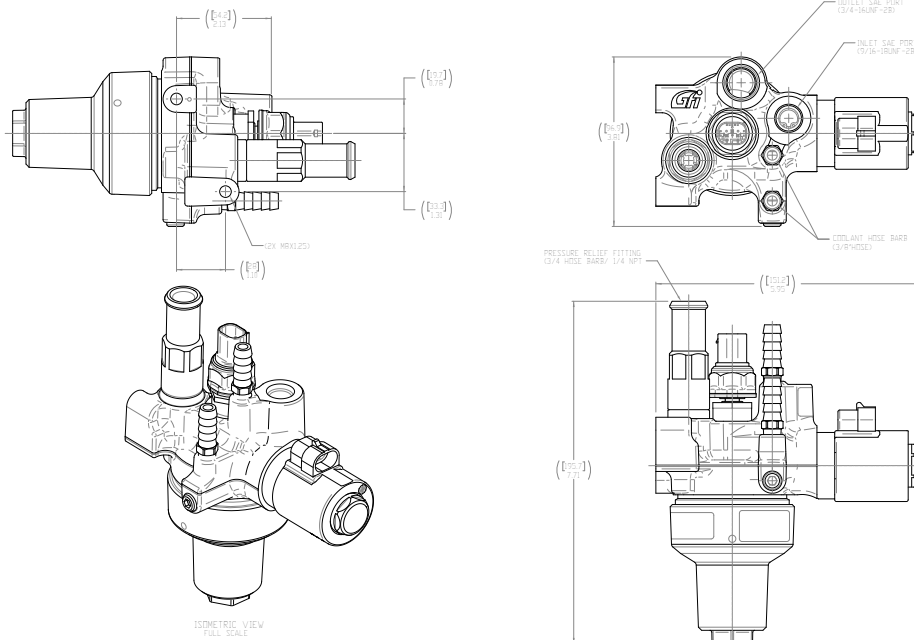
- 在不同的气瓶压力下，减压器的出口压力保持稳定；
- 集成高压电磁切断阀；
- 集成压力传感器；
- 专为重型发动机设计，耐久为180万次循环；
- 集成安全压力阀；
- 较大的出口压力调节范围；
- 认证：NGV 3.1, ECE R110和ISO 15500。



# SPECIFICATIONS 技术参数

## P-200 Series

GENERAL INFORMATION 基本参数			
APPLICATION 应用	CNG high pressure regulator for mono-fuel applications CNG减压器		
DESIGN 设计	Balanced single stage, pintle and diaphragm type 平衡式单级减压, 膜片轴针式		
BODY MATERIAL 机体材料	Forged Aluminum 锻铝		
FUEL TYPE 燃气类型	High Pressure Natural Gas (Validated with G20 and G25 CNG)		
PERFORMANCE 性能			
MAX SERVICE PRESSURE 最大入口压力	25 MPa (3,600 psig)		
REGULATED FLOW RATE 流量	Up to 30 g/s		
OUTLET PRESSURE 出口压力	Factory adjustable: 200 to 1,000 kPa (29 to 145 psig)		
WORKING TEMPERATURE 工作温度	-40°C to 120°C (-40°F to 248°F)		
PRESSURE RELIEF VALVE 安全压力阀	Multiple settings available between 1,100 and 1,800 kPa (160 to 260 psig) 1100~1800kpa可调		
FILTER (REPLACEABLE) 滤芯	40 µm, 99% efficiency 40 µm, 过滤效率99%		
PRESSURE SENSOR 压力传感器	0-250 Bar (Bosch, Sensata)		
LIQUID HEATING 发动机加热	Yes 支持		
COOLANT TEMPERATURE SENSOR 发动机水温传感器	Optional 选装		
SOLENOID 电磁阀	Voltage 额定电压	12 V	24 V
	Current draw 电流	0.83 A	0.54 A
	Control 控制方式	Saturated	
LEAKAGE 泄漏	<math>10^{-4}</math> mBar l/s Helium, external (<math>10^{-3}</math> mBar l/s Helium, internal) 外部<math>10^{-4}</math> mBar l/s; 内部<math>10^{-3}</math> mBar l/s (氦气)		
CONNECTIONS 连接			
INLET THREAD TYPE 入口接头规格	9/16" - 18 UNF		
OUTLET THREAD TYPE 出口接头螺纹	3/4" - 16 UNF		
ELECTRICAL CONNECTOR (solenoid) 电磁阀接插件	AMP Super Seal AMP超级密封		
ELECTRICAL CONNECTOR (temperature) 温度传感器接插件	Delphi 90 Degree Metri-Pack 150 Series Delphi 90° Metri-Pack 150系列		
APPROVALS 认证			
CERTIFICATIONS 认证	NGV 3.1, ECE R110, ISO 15500		



ISO/TS 16949:2009 registered  
ISO 9001:2008 registered

300022\_REV E  
All rights reserved.  
All information is subject to change without notice.  
Images for illustration purposes only, may not reflect configuration provided.