

## ITVR-700

INTEGRATED TANK VALVE REGULATOR (ITVR)  
集成瓶口阀式减压器

## Key Features

All in one Integrated Tank Valve Regulator (ITVR) simplifies CNG systems and reduces costs by providing a regulated low pressure output directly from the tank.

Thermally and pressure activated relief devices are built into a common vent port to protect the high pressure side of the system and a low pressure relief valve is built in to protect the downstream components.

- Solenoid high pressure lock off
- Micro vented for internally mounted locations
- 12 or 24 volt high pressure lock off
- Optional high pressure sensor
- Proven to over 1.8 million cycles
- Both low pressure relief valve and high pressure relief device built in
- Certified ISO 15500
- Manual shut off
- Excess flow device

## 主要特性

集成瓶口阀功能的CNG减压器能够减少系统成本，直接把气瓶里高压减压器减压为低压。

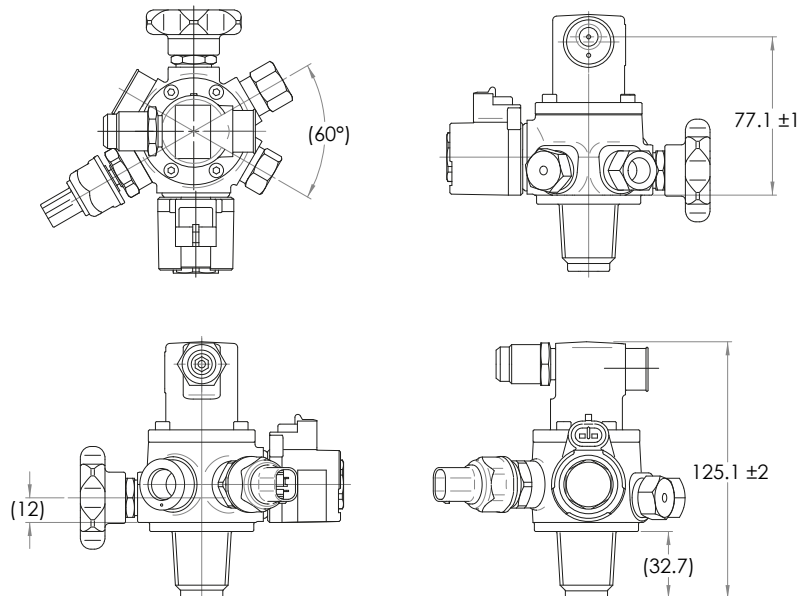
温度和压力响应式安全泄压装置共用一个泄压管路，保护高压端的系统安全，同时低压端的安全阀可以保护下游的其它零部件。

- 高压电磁切断阀；
- 内部泄漏导流孔；
- 高压电磁阀支持12V/24V系统；
- 支持高压压力传感器；
- 180万次耐久循环；
- 集成式低压和高压泄压阀；
- ISO 15500认证；
- 集成手动切断阀；
- 集成溢流阀。



# SPECIFICATIONS 技术参数

ITVR-700		
<b>GENERAL INFORMATION 基本参数</b>		
APPLICATION 应用	CNG Integrated fuel delivery module for Type 1/Type 3/Type 4 cylinders CNG瓶口阀, 支持1/3/4型气瓶	
DESIGN 设计	Regulator: Single stage piston type. Tank Valve: Automatic, External Solenoid 单级活塞瓶口式减压器	
BODY MATERIAL 机体材料	Forged Brass and Aluminum 锻铜和锻铝	
FUEL TYPE 燃气类型	High Pressure Natural Gas (Validated with G20 and G25 CNG)	
<b>PERFORMANCE 性能</b>		
MAX WORKING PRESSURE 最大工作压力	25 MPa (3,500 psig)	
REGULATED FLOW RATE 流量	2 g/s CNG; higher flow rates possible depending on application 2g/s CNG, 具体应用可以增加	
OUTLET PRESSURE 出口压力	5 +/- 0.5 barg; other outlet pressures possible; please contact GFI for more information 5 +/- 0.5 barg, 可定制	
WORKING TEMPERATURE 工作温度	-40°C to 85°C (-40°F to 185°F)	
T-PRD	Design 设计	Eutectic 共熔合金
	Activation temperature 激活温度	109 +/- 1.5°C (228 +/- 2.5°F)
	Venting performance 泄压速度	18 g/s minimum @ 7 barg, 15C
BURST DISK 爆破压力	30 to 32.5 MPa @ 25 to 30°C (4,350 to 4,712 psi)	
EXCESS FLOW DEVICE 过流装置	Activation Delta P: 0.5 bar 启动压力差 0.5bar	
PRESSURE RELIEF DEVICE 泄压阀	1,200 to 1,600 kPa (174 to 232 psig)	
FILTER (REPLACEABLE) 滤芯	40 µm, >99% efficiency 40 µm, 过滤效率大于99%	
PRESSURE SENSOR 压力传感器	0 to 200 Bar (Sensata)	
SOLENOID 电磁阀	Voltage 电压	12 V
	Current draw 电流	1.5 A
	Control 控制信号	Saturated
LEAKAGE 泄漏	<10 <sup>-3</sup> mBar l/s Helium, external (<10 <sup>-4</sup> mBar l/s Helium, internal)	
<b>CONNECTIONS 连接</b>		
CYLINDER CONNECTION 瓶口连接	1" BS341 (IS: 3224 Type 4 Size 2) or 1 1/8" UNF	
OUTLET THREAD TYPE 出口接头螺纹	7/16-20 UNF SAE Port	
ELECTRICAL CONNECTOR 接插件	AMP Super Seal	
LIVE PORT 预留孔	Yes, for high pressure sensor only	
<b>APPROVALS 认证</b>		
CERTIFICATIONS 认证	ISO 15500	



ISO/TS 16949:2009 registered  
ISO 9001:2008 registered

300008\_REV E  
All rights reserved.  
All information is subject to change without notice.  
Images for illustration purposes only, may not reflect configuration provided.