

HPR 3600 + Banjo

HEAVY DUTY PRESSURE REGULATOR FOR CNG APPLICATION WITH INTEGRATED MODULE 大流量CNG减压器

Key Features

High pressure single stage regulator for compressed natural gas with working inlet pressure up to 25MPa is available now with an integrated solenoid lock off, pressure sensor and serviceable inlet fuel filter. Both 12 and 24 Volt solenoid coils are available.

- Proven design with over 30 years of in service history
- Integrated high pressure lock off
- Built-in pressure sensor
- Built-in serviceable fuel filter
- Optional MAP reference
- Certified to ECE R110 and ISO 15500 standards

主要特性

高压单级CNG减压器，入口压力最高可达25MPa，集成电磁切断阀、压力传感器以及可维护式入口滤清器，电磁阀支持12V和24V系统。

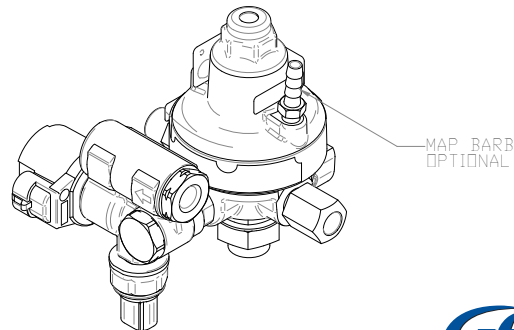
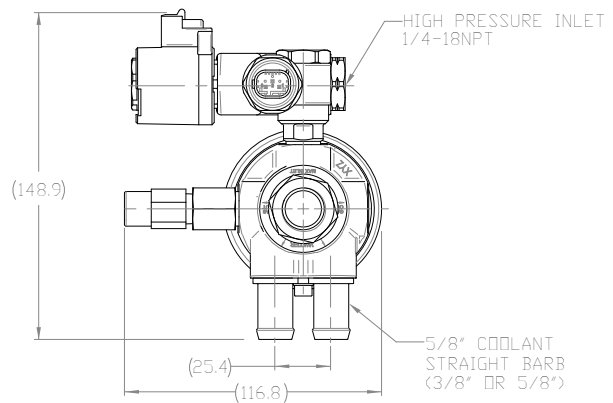
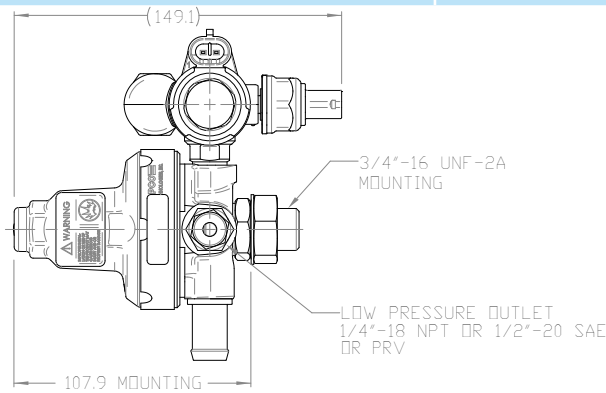
- 该款产品已经量产30多年，质量可靠；
- 集成高压电磁切断阀；
- 集成压力传感器；
- 入口内置滤芯；
- 可选配歧管压力补偿功能；
- 认证：ECE R110，ISO 15500。



SPECIFICATIONS 技术参数

HPR 3600 + Banjo

GENERAL INFORMATION 基本参数		
APPLICATION 应用	High pressure single stage regulator 高压单级减压	
DESIGN 设计	Single stage regulator heated by coolant with integrated lock off 集成电磁阀式单级减压器	
FUEL TYPE 燃气类型	High Pressure Natural Gas (Validated with G20 and G25 CNG)	
PERFORMANCE 性能		
WORKING PRESSURE 工作压力	26 MPa (3,600 psig)	
BURST PRESSURE 爆破压力	> 65 MPa	
MINIMUM INLET PRESSURE 最小入口压力	1.17 MPa	
TYPICAL OUTLET PRESSURE 推荐出口压力	1.1 MPa (factory options available)	
OUTLET FLOW RATE 最大流量	Up to 20 g/s	
WORKING TEMPERATURE 工作温度	-40°C to 120°C (-40°F to 248°F)	
PRESSURE RELIEF VALVE 安全压力阀	2.76 MPa	
FILTER (REPLACEABLE) 滤清 (可更换)	25 µm, >93% efficiency	
COIL MODEL 线圈型号	12 V	24 V
MINIMUM OPERATING VOLTAGE 最小工作电压	6 V	14 V
NOMINAL VOLTAGE 额定电压	14 V	28 V
MAX VOLTAGE (Constant) 最大持续电压	18 V	32 V
NOMINAL CURRENT DRAW 额定电流	1.29 Amps	0.66 Amps
MAX VOLTAGE (1 MIN) 最大电压	24 V	35 V
CONNECTOR 接插件	AMP Super Seal AMP超级密封	
LEAKAGE 泄漏	<0.25 standard cc/min Helium, external (<0.25 standard cc/min Helium, internal)	
HEATER CIRCUIT 加热		
MEDIA 媒介	Water / Ethylene Glycol Mixture 水/乙二醇混合	
FLOW DIRECTION 流向	Bi directional 进出水口可交换	
MAXIMUM PRESSURE	200 kPa	
APPROVALS 认证		
CERTIFICATIONS 认证	ECE R110, ISO 15500-2012	



ISO/TS 16949:2009 registered
ISO 9001:2008 registered