

# H-TV-70 Series

## HEAVY DUTY 70 MPa CRASHWORTHY INTERNAL SOLENOID TANK VALVE 大流量70MPa 内置式防碰撞电磁瓶口阀

### Key Features

700 bar (70 MPa) tank service pressure. Patented solenoid tank valve that mounts the coil and plunger inside the tank protecting it from any external impact and environmental exposure. Temperature sensor mounted inside the tank allows for fuel gauge correction or fuel dispenser feedback system. Tank valve also includes an integrated PRD along with manual shut off.

- Based on GFI's successful family of internal solenoid tank valves
- The solenoid lock off is located inside the cylinder, providing real crash and environmental protection
- Pipe away T-PRD
- Internal temperature sensor
- Stainless steel body
- 12 V and 24 V solenoid coils available
- 700 Bar service pressure

### 主要特性

70MPa氢气瓶口阀。具有专利技术的电磁瓶口阀把线圈和阀芯设计在气瓶内部，这样可以保护它们不受碰撞和外界环境的影响。温度传感器装在气瓶里面，可以用于气量表数值的修正或者燃气加气机反馈系统。同时该瓶口阀也集成了手动切断阀和压力释放阀。

- 基于GFI成功的内置电磁阀式瓶口阀设计经验；
- 电磁切断阀位于气瓶内部，保护其不受碰撞和外界环境的影响；
- 集成温度型压力释放阀；
- 集成温度传感器；
- 不锈钢机体；
- 兼容12V或者24V系统；
- 最大支持700bar系统压力。



*Engineered to meet International Standards and Regulations*

- Including ANSI HGV 3.1/HPRD 1, ECE R134, EC 79/2009, and UN GTR No. 13.

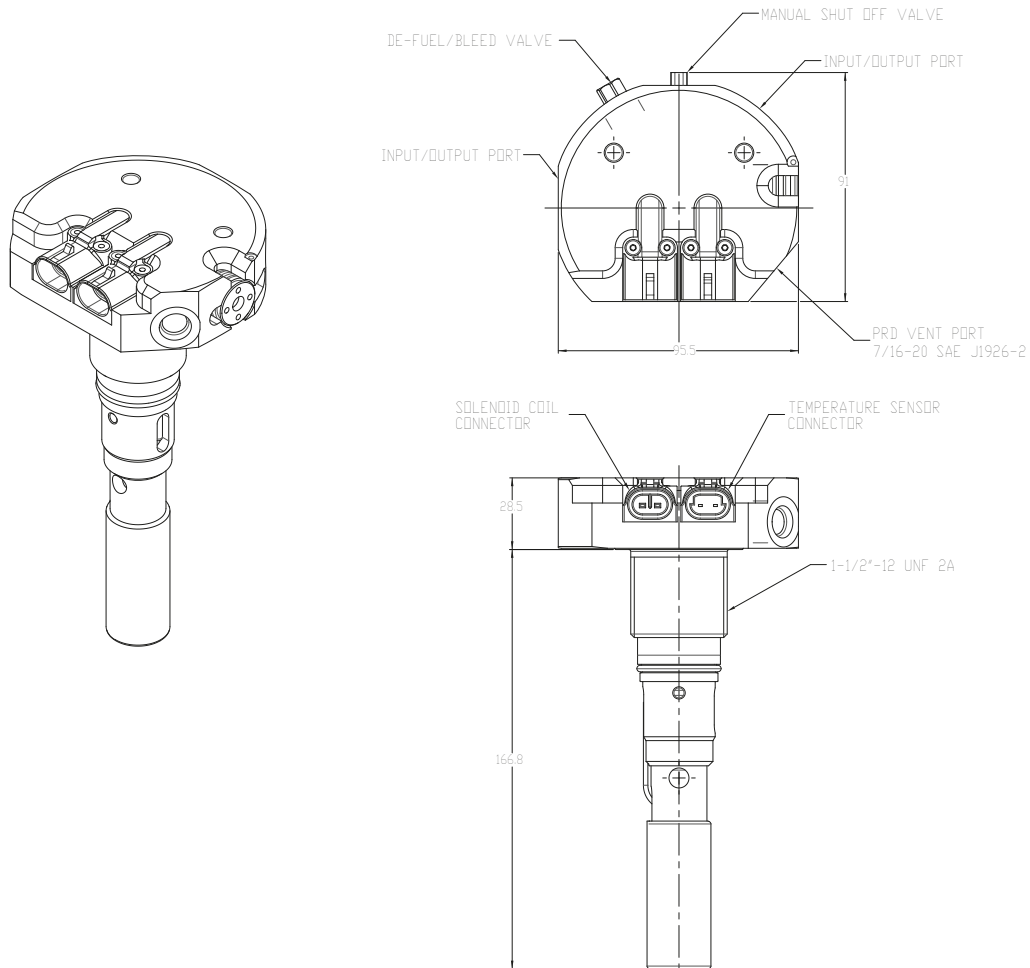
*All designs are subjected to rigorous qualification testing*

- Including long-term endurance cycling, severe vibration, and accelerated cyclic corrosion.

# SPECIFICATIONS 技术参数

## H-TV-70 Series

GENERAL INFORMATION 基本参数			
APPLICATION 应用	Hydrogen 70 MPa Tank Valve 70MPa 氢气瓶阀		
DESIGN 设计	Automatic valve, internal solenoid 自动, 嵌入式电磁阀		
BODY MATERIAL 机体材料	Stainless steel		
FUEL TYPE 燃气类型	Hydrogen		
PERFORMANCE 性能			
RESPONSE TIME 反应时间	< 750 ms		
T-PRD OPERATION 激活温度	110 +/- 5°C		
SERVICE PRESSURE 工作压力	70 MPa (10,152 psi)		
WORKING TEMPERATURE 工作温度	-40°C to 85°C (-40°F to 185°F)		
ELECTRICAL 电气 (to be confirmed)	Coil model 线圈型号	12 V	24 V
	Minimum opening voltage 最小开启电压	8 V	16 V
	Nominal voltage 额定电压	12 V	24 V
	Nominal current draw 额定电流	0.62 A	0.33 A
	Thermistor R25C 温度传感器电阻	10,000 ohms +/- 2%	
	Thermistor Type 电阻类型	NTC	



IATF 16949:2016 registered  
a Westport Fuel Systems company

