

# H-TV600 Series

## 35MPa 1-1/8" INTERNAL SOLENOID TANK

### Key Features

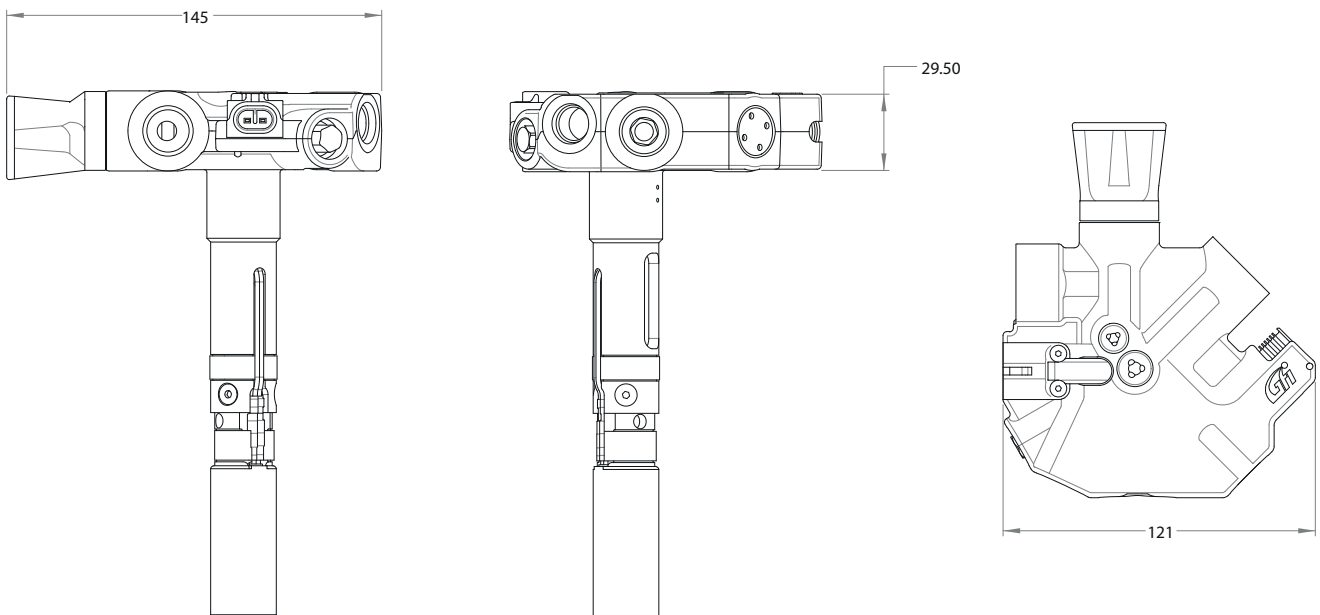
1-1/8" tank valve based on the popular 2" tank valve technology. Popular in OEM programs due to its low profile and high-level of integrated features. Uses an in-tank solenoid to protect it from external impact and risk of corrosion/environmental exposure. Tank valve includes integrated high flow PRD, manual shutoff, and bleed valve.

- Low-profile design to maximize tank package length
- In-tank solenoid for improved crashworthiness and environmental protection
- 12 V and 24 V solenoid options
- Nominal working pressure of 35 MPa
- Operating temperature -40 °C to +85 °C
- 1-1/8" tank neck geometry
- High-flow pilot activated pipe away TPRD; 110 +/- 5°C
- Integrated solenoid and manual shutoff valves, PRD, bleed valve and check valve function
- Light-weight aluminum design
- Pressure sensor port (optional)
- Live port (optional)
- Optional port configurations, EFV module and Filter module
- Commonly paired with temperature sensing PRD end plug for tank packages
- Compliant/approved to HPRD, HGV 3.1, EC79, ISO 19882, UN GTR 13, PED, EU 535 and ECE R134



# SPECIFICATIONS

H-TV600 Series		
GENERAL INFORMATION		
APPLICATION	Hydrogen Tank Valve	
DESIGN	Automatic valve, internal solenoid	
BODY MATERIAL	Aluminum, anodized	
FUEL TYPE	Hydrogen per SAE J2719 and ISO 14687	
NOMINAL WORKING PRESSURE	35 MPaG	
MAX WORKING PRESSURE	43.8 MPaG	
OPERATING TEMPERATURE	-40 °C to +85 °C	
FLOW COEFFICIENT (Cv)	Fueling and defueling: > 0.5	
T-PRD ACTIVATION	110 +/- 5 °C	
T-PRD ORIFICE	up to 8 mm equivalent diameter	
CHECK VALVE FUNCTION (FILL PATH)	Opening Pressure < 0.3 MPa	
ELECTRICAL		
COIL NOMINAL VOLTAGE	12 V	24 V
NOMINAL COIL RESISTANCE AT 20 °C	19.2 Ω	71.8 Ω
COIL NOMINAL POWER AT 20 °C	7.5 W	8 W
CONNECTIONS / OPTIONS / CERTIFICATIONS		
SOLENOID	Mating connector: AMP Superseal 1.5, 2 pin; 282080-1	
CYLINDER CONNECTION	1 1/8-12 UNF-2B	
INLET / OUTLET PORT TYPE	9/16-18 UNF-2B (others possible)	
TPRD VENT PORT TYPE	3/4-16 UNF-2B (others possible)	
OPTIONS	A) Pressure sensor port (7/16-20 UNF-2B); B) Live port (9/16-18 UNF-2B); C) Excess Flow Valve (EFV) module; D) Excess Flow Valve (EFV) + Filter module	
CERTIFICATIONS	HPRD1, HGV 3.1, EC79, ISO 19882, UN GTR 13, PED, EU 535 and R134	



IATF 16949:2016 registered  
a Westport Fuel Systems company



300014\_REV H - All rights reserved.  
All information is subject to change without notice.  
Images for illustration purposes only, may not reflect configuration provided.