

H-TV-300 Series

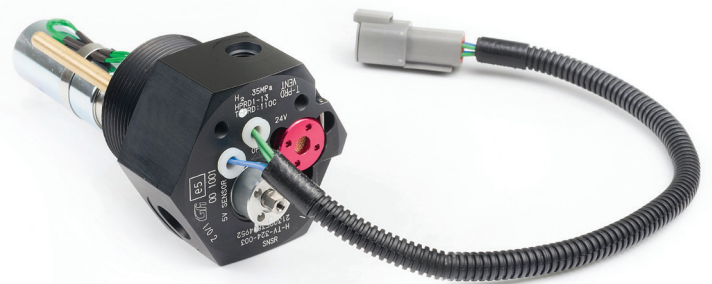
35MPa 2" INTERNAL SOLENOID TANK VALVE

Key Features

Innovative tank valve that mounts the solenoid inside the tank to protect it from external impact and risk of corrosion/environmental exposure.

Temperature sensor mounted inside the tank for fuel dispenser feedback and fuel gauge accuracy. Also includes integrated PRD, manual shutoff valve and check valve function.

- More than 20 years of service experience in OEM applications
- In-tank solenoid for improved crashworthiness and environmental protection
- 12 V and 24 V solenoid options
- Nominal working pressure of 35 MPa
- Operating temperature -40 °C to +85 °C
- 2" tank neck geometry
- Pipe away TPRD, 110 +/- 5 °C
- Integrated solenoid and manual shutoff valves, temperature sensor, PRD and check valve function
- Light-weight aluminum design
- Two I/O ports and pressure sensor port
- Optional port configurations, EFV module and Filter module
- Compliant/approved to HPRD1, EC 79, GB/T 35544, ECE R134, UN GTR 13, EU 535, ISO 19882, PED



SPECIFICATIONS

H-TV-300 Series

GENERAL INFORMATION

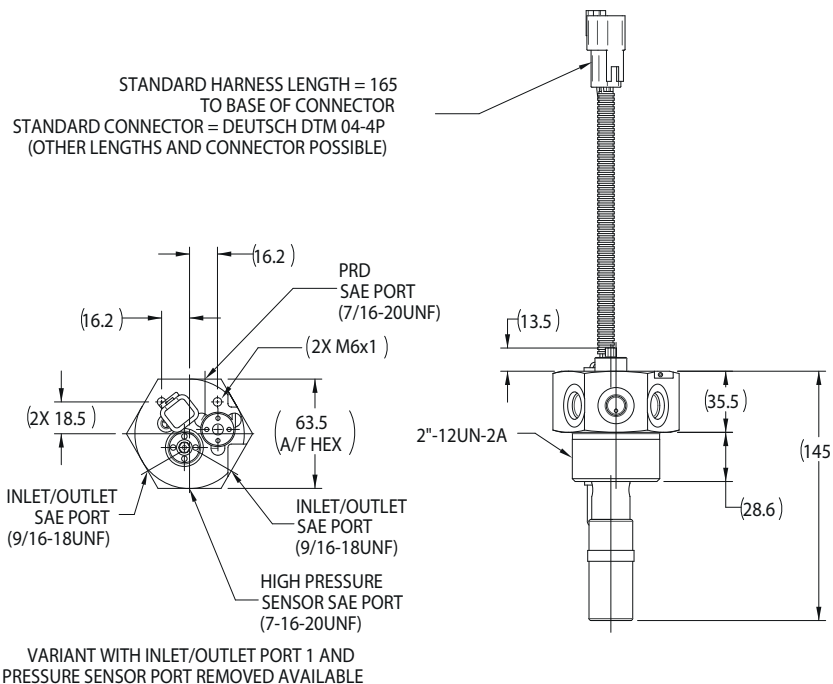
APPLICATION	Hydrogen 2" Tank Valve	
DESIGN	Automatic valve, internal solenoid	
BODY MATERIAL	Aluminum, anodized	
FUEL TYPE	Hydrogen per SAE J2719 and ISO 14687	
NOMINAL WORKING PRESSURE	35 MPaG	
MAX WORKING PRESSURE	43.8 MPaG	
OPERATING TEMPERATURE	-40 °C to +85 °C	
FLOW COEFFICIENT (Cv)	Fueling and defueling: > 0.5	
T-PRD ACTIVATION	110 +/- 5 °C	
T-PRD ORIFICE	up to 5.7 mm equivalent diameter	
CHECK VALVE FUNCTION (FILL PATH)	Opening Pressure < 0.3 MPa	

ELECTRICAL

COIL NOMINAL VOLTAGE	12 V	24 V
NOMINAL COIL RESISTANCE AT 20 °C	19.2 Ω	71.8 Ω
COIL NOMINAL POWER AT 20 °C	7.5 W	8 W
THERMISTOR R25C	2,700 ohms +/- 2%	
THERMISTOR TYPE	NTC	

CONNECTIONS / OPTIONS / CERTIFICATIONS

ELECTRICAL CONNECTOR	Mating Connector: Deutsch DTM 06-4S; Others possible	
CYLINDER CONNECTION	2-12 UNF-2B	
INLET / OUTLET PORT TYPE	9/16-18 UNF-2B	
TPRD VENT PORT TYPE	7/16-20 UNF-2B	
PRESSURE SENSOR PORT TYPE	7/16-20 UNF-2B	
OPTIONS	A) 2 x inlet/outlet port & pressure sensor port; B) Excess Flow Valve (EFV) module; B) Excess Flow Valve (EFV) + Filter module	
CERTIFICATIONS	HPRD1, EC 79, GB/T 35544, ECE R134, UN GTR 13, EU 535, ISO 19882, PED	



IATF 16949:2016 registered
a Westport Fuel Systems company

