

H-TV-200 Series

HEAVY DUTY 2" CRASHWORTHY INTERNAL SOLENOID TANK VALVE 大流量2" 内置式防碰撞电磁瓶口阀

Key Features

Patented solenoid tank valve that mounts the coil and plunger inside the tank protecting it from any external impact and environmental exposure. Temperature sensor mounted inside the tank allows for fuel gauge correction or fuel dispenser feedback system. Tank valve also includes an integrated PRD along with manual shut off.

- Almost 20 years in service in OEM applications
- The solenoid lock off is located inside the cylinder, providing real crash and environmental protection
- Pipe away T-PRD
- Internal temperature sensor
- Light weight aluminium design
- 12 V and 24 V solenoid coils available
- 350 Bar service pressure

主要特性

具有专利技术的电磁瓶口阀把线圈和阀芯设计在气瓶内部，这样可以保护它们不受碰撞和外界环境的影响。温度传感器装在气瓶里面，可以用于气量表数值的修正或者燃气加气机反馈系统。同时该瓶口阀也集成了手动切断阀和压力释放阀。

- 超过20年的OEM应用经验；
- 电磁切断阀位于气瓶内部，保护其不受碰撞和外界环境的影响；
- 集成温度型压力释放阀；
- 集成温度传感器；
- 轻量化铝制机体；
- 兼容12V或者24V系统；
- 最大支持350bar系统压力。



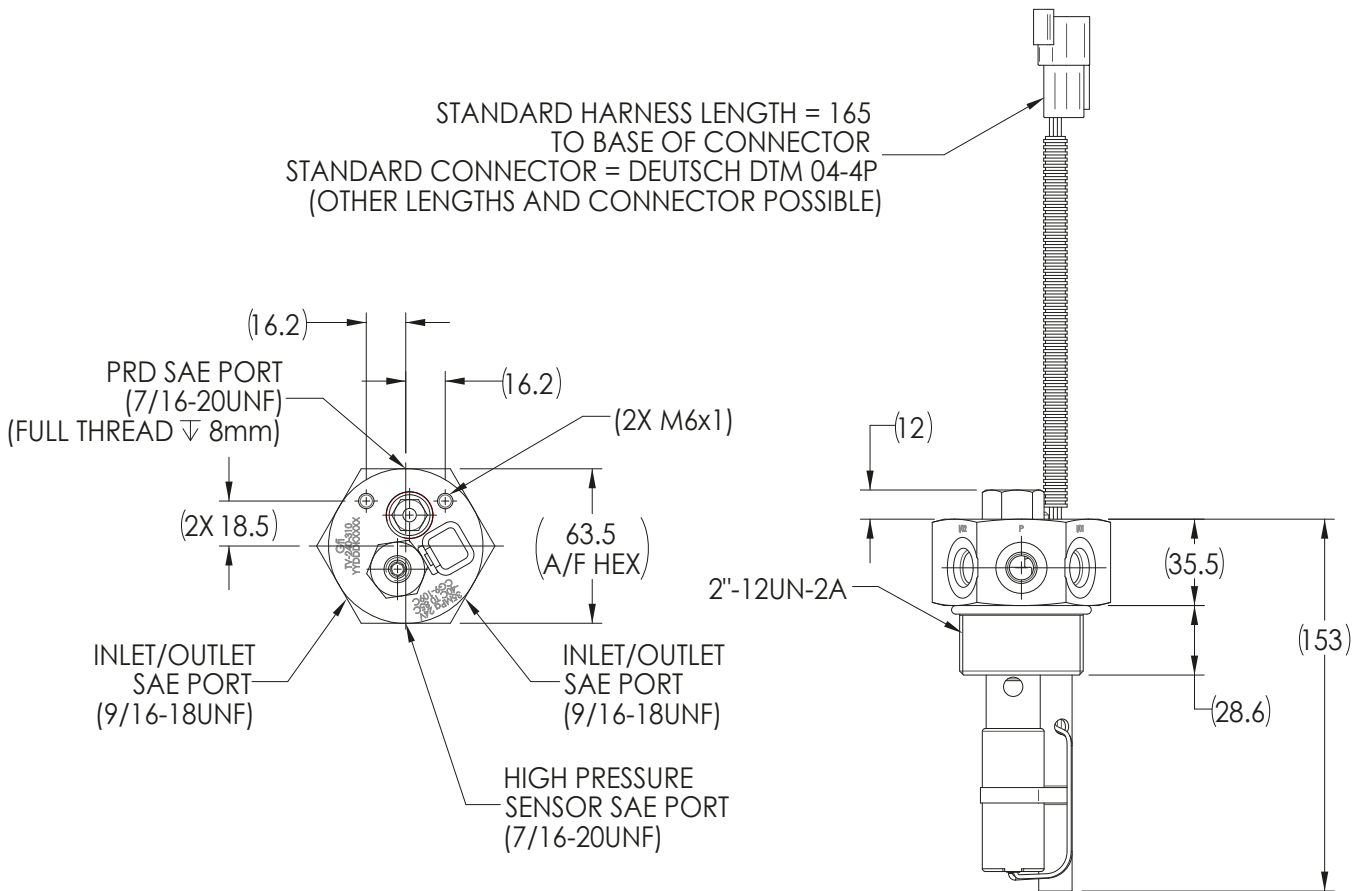
Engineered to meet International Standards and Regulations
 • Including ANSI HGV 3.1/HPRD 1, ECE R134, EC 79/2009, and UL 2267.

All designs are subjected to rigorous qualification testing
 • Including long-term endurance cycling, severe vibration, and accelerated cyclic corrosion.

SPECIFICATIONS 技术参数

H-TV-200 Series

GENERAL INFORMATION 基本参数			
APPLICATION 应用	Hydrogen 2" Tank Valve 2" 氢气瓶阀		
DESIGN 设计	Automatic valve, internal solenoid 自动, 嵌入式电磁阀		
BODY MATERIAL 机体材料	Aluminum, anodized MIL-A-8625		
FUEL TYPE 燃气类型	Natural Gas (Validated with G20 and C25 CNG), Hydrogen		
PERFORMANCE 性能			
FLOW RATE (CV) 流量	0.9		
RESPONSE TIME 反应时间	750 ms		
T-PRD OPERATION 激活温度	110 +/- 5°C		
T-PRD ORIFICE 泄压阀直径	Up to 6 mm depending on model		
SERVICE PRESSURE 工作压力	35 MPa (5,000 psig)		
WORKING TEMPERATURE 工作温度	-40°C to 85°C (-40°F to 185°F)		
ELECTRICAL 电气	Coil model 线圈型号	12 V	24 V
	Minimum opening voltage 最小开启电压	8 V	16 V
	Nominal voltage 额定电压	12 V	24 V
	Nominal current draw 额定电流	0.62 A	0.33 A
	Thermistor R25C 温度传感器电阻	2,700 ohms +/- 2%	
	Thermistor Type 电阻类型	NTC	



IATF 16949:2016 registered
a Westport Fuel Systems company

