

H-PRD-4PT

1-1/8" END PLUG PRESSURE RELIEF DEVICE WITH TEMPERATURE SENSOR 1-1/8" 端塞压力释放阀带温度传感器

Key Features

GFI combines their fast acting, high flow 1-1/8" end plug pressure relief device with their internal tank temperature sensor technology into this end plug. This device can be used to monitor in tank fuel temperature during re-fueling and also be used to improve fuel gauge accuracy.

- Combined T-PRD and internal tank temperature sensor
- High flow fast acting design
- Cadmium free eutectic technology
- Nominal working pressure 35 MPa
- Working temperature -40° to +85° C
- Light weight machined aluminum body
- Suitable for use with all cylinder types
- Integrated electrical connector

主要特性

GFI集成自己的快速响应、大流量1-1/8" 压力释放装置以及内置式温度传感器技术设计了该款端塞。该款产品可以用于加氢系统和剩余气量的修正。

- 集成T-PRD和内置气瓶温度传感器；
- 流量大，响应快；
- 非镉易融合金技术；
- 最大工作压力35MPa；
- 工作温度范围-40℃ to 85℃；
- 可选温度传感器；
- 轻量化铝制机体；
- 集成式接插件。

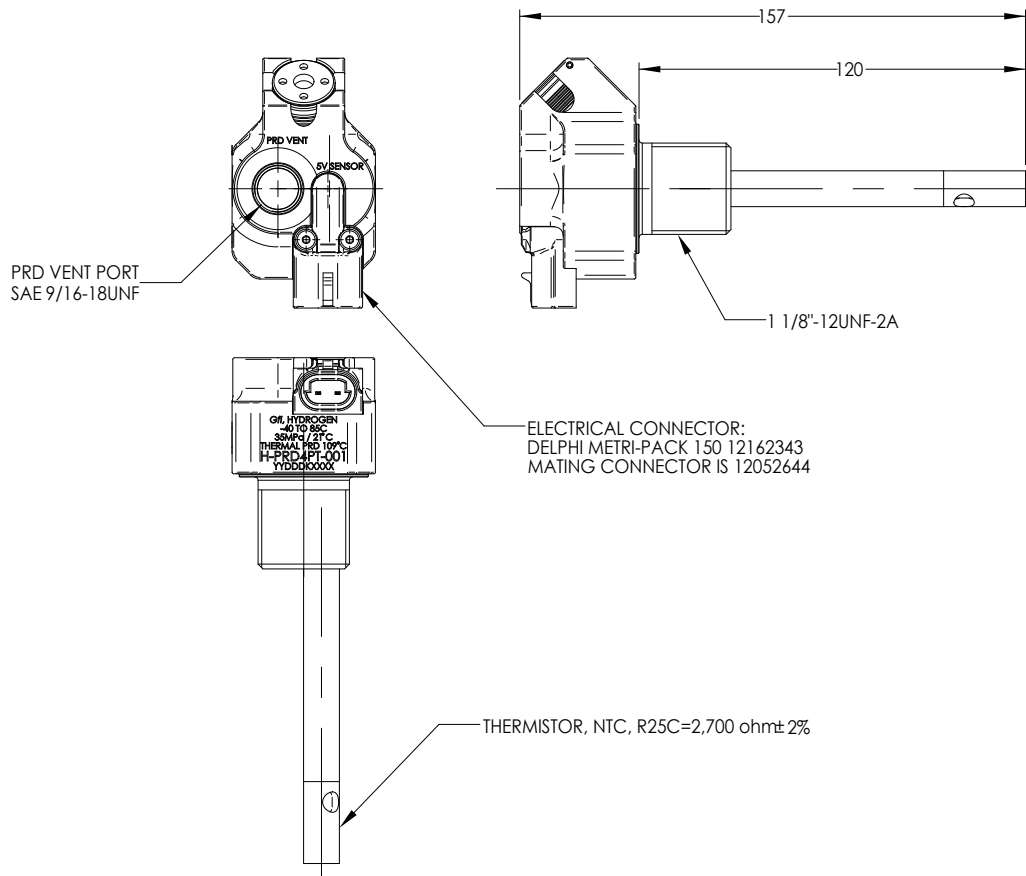


Engineered to meet International Standards and Regulations
• Certified to EC79/2009 and HPRD1.

All designs are subjected to rigorous qualification testing
• Including long-term endurance cycling, severe vibration, and accelerated cyclic corrosion.

SPECIFICATIONS 技术参数

H-PRD-4PT	
GENERAL INFORMATION 基本参数	
APPLICATION 应用	Suitable for all cylinder types 气瓶阀 Safety Device for 1 1/8" neck Type 1 / Type 2 / Type 3 / Type 4 cylinders
DESIGN 设计	Thermally activated PRD with integrated internal tank temperature sensor
BODY MATERIAL 机体材料	Extruded Aluminum, anodized
FUEL TYPE 燃气类型	Hydrogen
NOMINAL WORKING PRESSURE 最大工作压力	35 MPa (5,076 psig)
PERFORMANCE 性能	
FLOW RATE WHEN ACTIVATED (CV) 最大流量	0.76
WORKING TEMPERATURE 工作温度	-40°C to 85°C (-40°F to 185°F)
T-PRD OPERATION T-PRD激活	110 +/- 5°C
T-PRD ORIFICE T-PRD有效通经	Up to 5.7 mm equivalent
BURST DISK (OPTION) 爆破片 (可选)	Available 可选
THERMISTOR 温度传感器	NTC; R25C = 2,700 ohms +/- 2%
CONNECTIONS 连接	
CYLINDER CONNECTION 瓶口连接	1-1/8" UNF
VENT THREAD TYPE Vent孔连接	9/16" - 18 UNF
ELECTRICAL CONNECTOR 接插件	Metri-Pack 150, Gray
APPROVALS 认证	
CERTIFICATIONS 认证	EC79, HPRD1



IATF 16949:2016 registered
a Westport Fuel Systems company

