

H-PRD-4P

HIGH PERFORMANCE 1-1/8" END PLUG PRESSURE RELIEF DEVICES 高性能1-1/8" 瓶尾PRD阀

Key Features

GFI's 1-1/8" end plug pressure relief devices uses a design optimized for maximum heat transfer to create a fast acting high flow PRD. Offered with a wide range of options these devices can be configured to meet the needs of all end plug applications.

- Combined T-PRD and P-PRD (Burst disk) pipe away port
- High flow fast acting design
- Glass bulb or cadmium free eutectic technology
- Nominal working pressure 35 MPa
- Working temperature -40° to +85° C
- Optional temperature sensor
- Light weight machined aluminum body
- Swivel flare outlet options
- "T" outlet option
- Suitable for use with all cylinder types

主要特性

公司GFI 1-1/8" 的瓶尾压力释放阀系列产品设计时最大化了热量交换的速度，所以响应快、流量大。本产品接头规格很全，可以根据客户的要求进行定制。

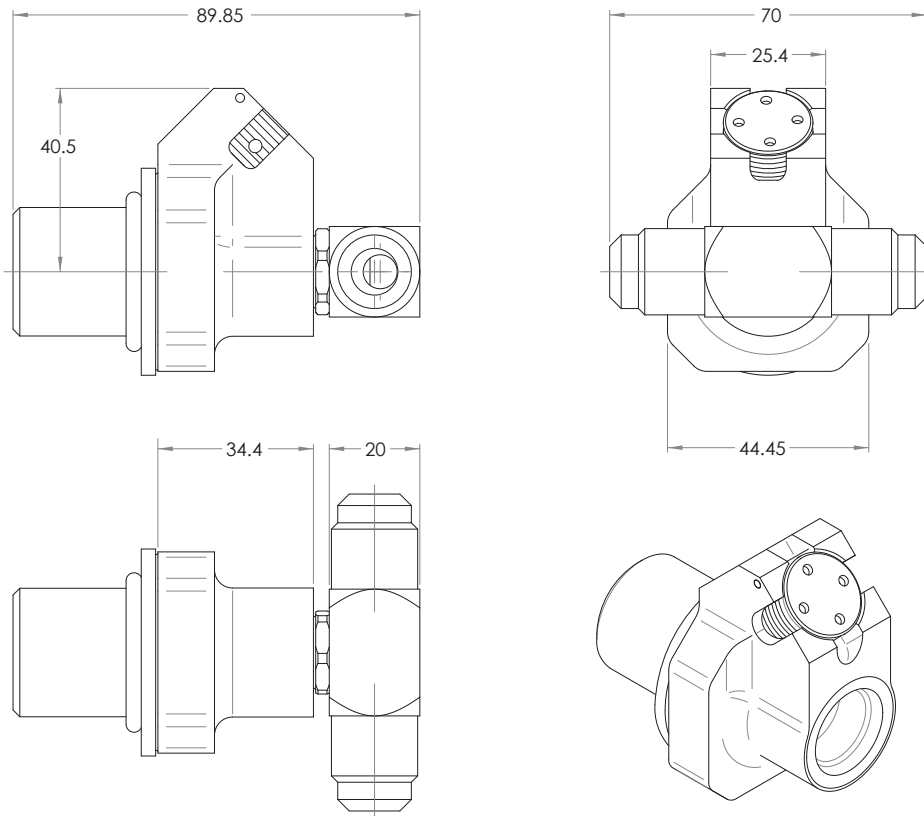
- 集成温度型和压力型释放阀，二者共用一个泄压管；
- 流量大，响应快；
- 温控玻璃管或者非镉易熔合金技术；
- 最大工作压力35MPa；
- 工作温度范围-40℃ to 85℃；
- 可选温度传感器；
- 轻量化铝制机体；
- 出口接头可旋转；
- 可定制“T”型出口接头；
- 兼容所有气瓶类型。



SPECIFICATIONS 技术参数

	PRD-4P	H-PRD-4P
GENERAL INFORMATION 基本参数		
APPLICATION 应用	Suitable for all cylinder types 所有气瓶类型可用 Safety Device for 1 1/8" neck Type 1 / Type 2 / Type 3 / Type 4 cylinders	
DESIGN 设计	Thermally activated valve with burst disk option 温度型泄压阀, 爆破片可选	
BODY MATERIAL 机体材料	Machined Aluminum 铝	
FUEL TYPE 燃气类型	Compressed Natural Gas (CNG)	Compressed Hydrogen Gas (CHG)
NOMINAL WORKING PRESSURE 最大工作压力	24,8 MPa (3,600 psig)	35 MPa (5,075 psig)
PERFORMANCE 性能		
FLOW RATE WHEN ACTIVATED (CV) 最大流量	0.9	0.76
WORKING TEMPERATURE 工作温度	-40°C to 85°C (-40°F to 185°F)	
T-PRD	Design 工作原理	Eutectic (Cadmium Free) 易熔合金
	Activation Temp 激活温度	110 +/- 5°C
	Venting performance 泄压口面积	Up to 6.3 mm equivalent for CNG and 5.7 mm for Hydrogen
BURST DISK (OPTION) 爆破片 (可选)	Available* 可选	
EXCESS FLOW DEVICE (EFD) 溢流阀	N/A 无	
CONNECTIONS 连接		
CYLINDER CONNECTION 瓶口连接	1-1/8" UNF	
OUTLET THREAD TYPE 出口接头螺纹	9/16" - 18 UNF - Optional 360 swivel fitting w / dual or single JIC 37DEG	
APPROVALS 认证		
CERTIFICATIONS 认证	PRD 1-13, ECE R110, ISO 15500	EC 79/2009, H-PRD1

*All models



IATF 16949:2016 registered
a Westport Fuel Systems company



All rights reserved.
 All information is subject to change without notice.
 Images for illustration purposes only, may not reflect configuration provided.