

# H-PRD-4P

## HIGH PERFORMANCE 1-1/8" END PLUG PRESSURE RELIEF DEVICES 1-1/8" 瓶塞式压力释放阀

### Key Features

GFI's 1-1/8" end plug pressure relief devices uses a design optimized for maximum heat transfer to create a fast acting high flow PRD. Offered with a wide range of options these devices can be configured to meet the needs of all end plug applications.

- Combined T-PRD and P-PRD (Burst disk) pipe away port
- High flow fast acting design
- Glass bulb or cadmium free eutectic technology
- Nominal working pressure 35 MPa
- Working temperature -40° to +85° C
- Optional temperature sensor
- Light weight machined aluminum body
- Swivel flare outlet options
- "T" outlet option
- Suitable for use with all cylinder types

### 主要特性

公司GFI 1-1/8" 的瓶塞式压力释放阀系列产品设计时最大化了热量交换的速度，所以响应快、流量大。本产品接头规格很全，可以根据客户的要求进行定制。

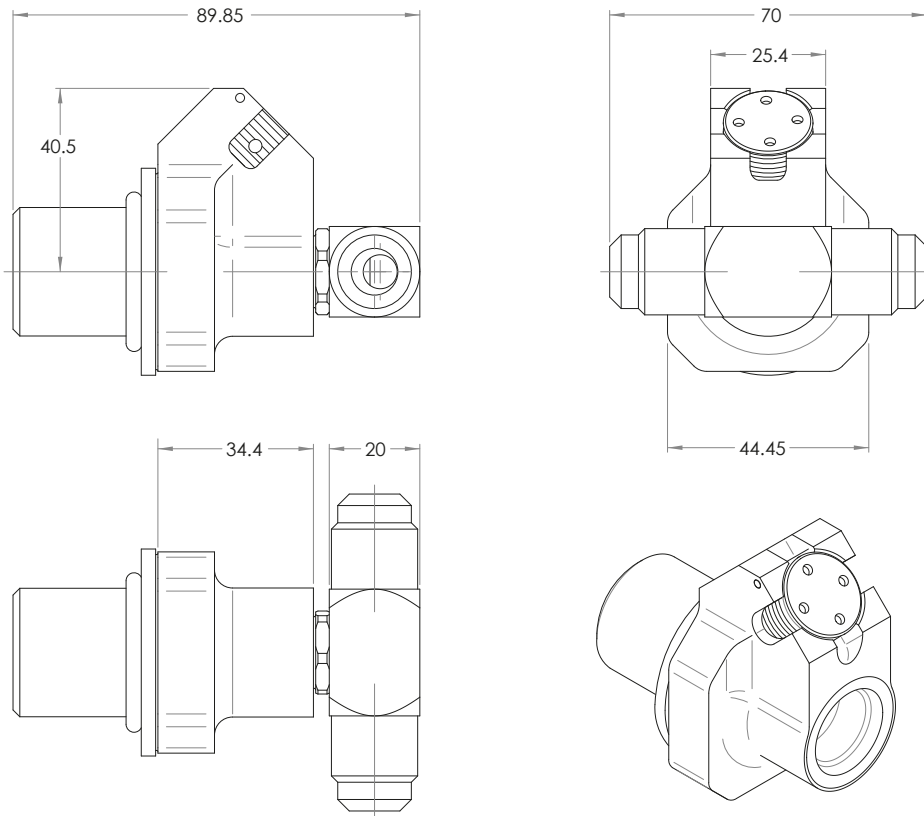
- 集成温度型和压力型释放阀，二者共用一个泄压管；
- 流量大，响应快；
- 温控玻璃管或者非镉易熔合金技术；
- 最大工作压力35MPa；
- 工作温度范围-40℃ to 85℃；
- 可选温度传感器；
- 轻量化铝制机体；
- 出口接头可旋转；
- 可定制“T”型出口接头；
- 兼容所有气瓶类型。



# SPECIFICATIONS 技术参数

	PRD-4P	H-PRD-4P
<b>GENERAL INFORMATION 基本参数</b>		
APPLICATION 应用	Suitable for all cylinder types 气瓶阀 Safety Device for 1 1/8" neck Type 1 / Type 2 / Type 3 / Type 4 cylinders	
DESIGN 设计	Thermally activated valve with burst disk option 温度型泄压阀, 爆破片可选	
BODY MATERIAL 机体材料	Machined Aluminum 铝	
FUEL TYPE 燃气类型	Compressed Natural Gas (CNG)	Compressed Hydrogen Gas (CHG)
NOMINAL WORKING PRESSURE 最大工作压力	24,8 MPa (3,600 psig)	35 MPa (5,075 psig)
<b>PERFORMANCE 性能</b>		
FLOW RATE WHEN ACTIVATED (CV) 最大流量	1.0	
WORKING TEMPERATURE 工作温度	-40°C to 85°C (-40°F to 185°F)	
T-PRD	Design 工作原理	Eutectic (Cadmium Free) 易熔合金
	Activation Temp 激活温度	109 +/-3°C (228°F)
	Venting performance 泄压口面积	Minimum area equivalent to 7 mm orifice
BURST DISK (OPTION) 爆破片 (可选)	Available* 可选	
EXCESS FLOW DEVICE (EFD) 溢流阀	N/A 无	
LEAKAGE 泄漏	<10 <sup>-4</sup> mBar l/s Helium, external (<10 <sup>-4</sup> mBar l/s Helium, internal) 外部<10 <sup>-4</sup> mBar l/s; 内部<10 <sup>-4</sup> mBar l/s (氦气)	
<b>CONNECTIONS 连接</b>		
CYLINDER CONNECTION 瓶口连接	1-1/8" UNF	
OUTLET THREAD TYPE 出口接头螺纹	9/16" - 18 UNF - Optional 360 swivel fitting w / dual or single JIC 37DEG	
<b>APPROVALS 认证</b>		
CERTIFICATIONS 认证	PRD 1-13, ECE R110, ISO 15500	

\*All models



ISO/TS 16949:2009 registered  
ISO 9001:2008 registered

All rights reserved.  
All information is subject to change without notice.  
Images for illustration purposes only, may not reflect configuration provided.

300016\_REV E