

H-PRD-4L

HIGH PERFORMANCE INLINE PRESSURE RELIEF DEVICES
高性能管路PRD阀

Key Features

GFI's pressure relief devices are designed for maximum heat transfer and fast activation performance reliability. The high flow discharge design provides the security of knowing that in the unlikely event that it is required to activate, it will ensure that the safety of the CNG/CHG system remains intact.

Offered with a wide range of options, these devices can be configured to meet the requirements of your application.

- Combined T-PRD and P-PRD (Burst disk) pipe away port
- High flow, fast acting design
- Glass bulb or cadmium free eutectic technology
- Nominal working pressure 35 MPa
- Working temperature -40° to +85° C
- Wide range of port options 3/4-16, 9/16-18, 7/16-20 or M18x1.5 to M16x1.5
- Light weight machined aluminum body

主要特性

公司的GFI压力释放阀系列产品的设计满足最大的热量转移、快速响应和性能可靠。当需要压力释放阀工作时气体可以很快的释放，从而保证CNG/CHC系统的安全。本产品接头规格很全，可以根据客户的要求进行定制。

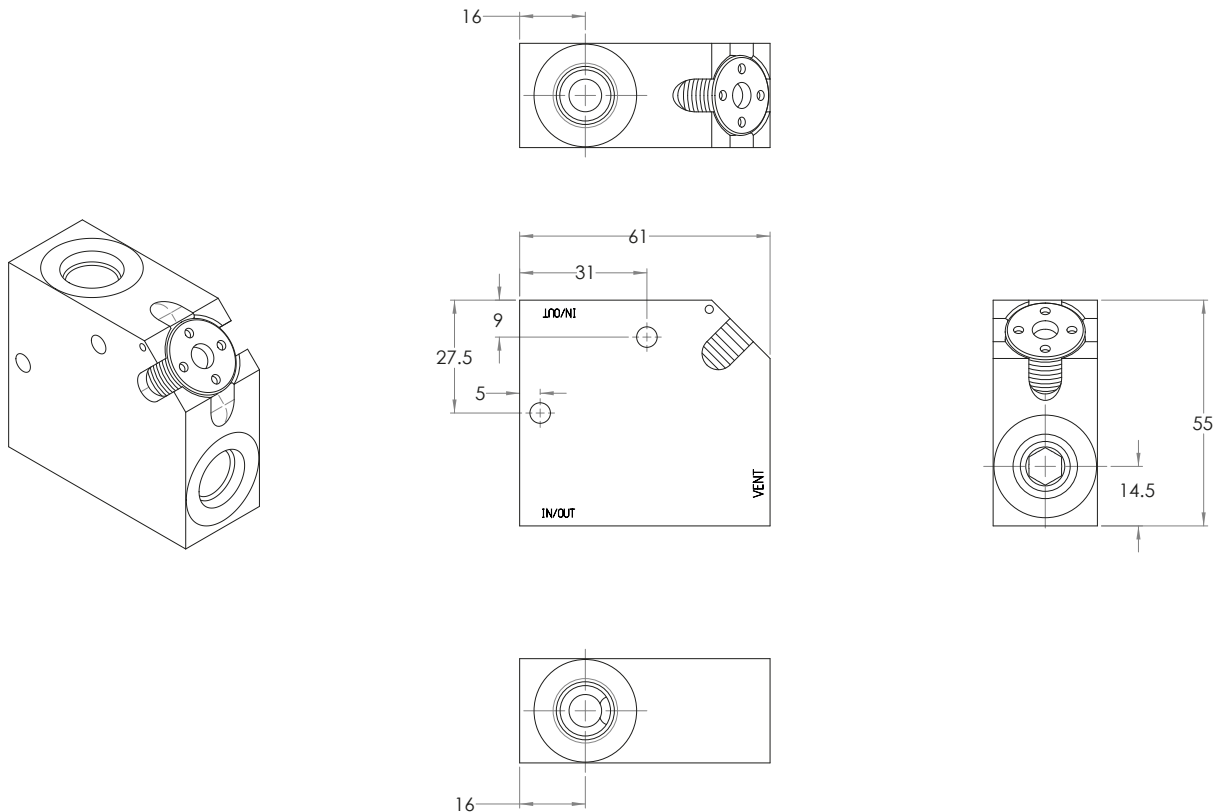
- 集成温度型和压力型压力释放阀，二者共用一个泄压通道；
- 流量大，响应快；
- 温控玻璃管或者非镉易熔合金技术；
- 最大工作压力35MPa；
- 工作温度范围-40° to +85° C；
- 可供选择借口尺寸：3/4-16, 9/16-18, 7/16-20 or M18x1.5 to M16x1.5；
- 机体为轻量机加工铝。



SPECIFICATIONS 技术参数

	PRD-4L	H-PRD-4L
GENERAL INFORMATION 基本参数		
APPLICATION 应用	Safety Device for remote installation between sections of high pressure line 高压管路末端安全设备	
DESIGN 设计	Thermally activated valve with burst disk option 温度型释放阀, 爆破片可选	
BODY MATERIAL 机体材料	Machined Aluminum 铝	
FUEL TYPE 燃气类型	Compressed Natural Gas (CNG)	Compressed Hydrogen Gas (CHG)
NOMINAL WORKING PRESSURE 最大工作压力	24,8 MPa (3,600 psig)	35 MPa (5,075 psig)
PERFORMANCE 性能		
FLOW RATE WHEN ACTIVATED (CV) 最大流量	0.9	0.76
WORKING TEMPERATURE 工作温度	-40°C to 85°C (-40°F to 185°F)	
T-PRD	Design 工作原理	Eutectic (Cadmium Free) 易熔合金
	Activation Temp 激活温度	110 +/- 5°C
	Venting performance 泄压口面积	Up to 6.3 mm equivalent for CNG and 5.7 mm for Hydrogen
BURST DISK (OPTION) 爆破片 (可选)	Available* 可选	
EXCESS FLOW DEVICE (EFD) 溢流阀	N/A 无	
CONNECTIONS 连接		
INLET/OUTLET THREAD TYPE 入口接头规格	Wide range of port options 3/4-16, 9/16-18, 7/16-20 or M18x1.5 to M16x1.5	
OUTLET THREAD TYPE 出口接头螺纹	Wide range of port options 3/4-16, 9/16-18, 7/16-20 or M18x1.5 to M16x1.5	
APPROVALS 认证		
CERTIFICATIONS 认证	PRD 1-13, ECE R110, ISO 15500	EC 79/2009, H-PRD1

*All models



IATF 16949:2016 registered
a Westport Fuel Systems company

