

# H-PCV Series

## FUEL CELL ELECTRONIC PRESSURE CONTROL VALVE (REGULATOR) 燃料电池电控调压阀

### Key Features

Designed for hydrogen applications with up to 3 MPa (g) (435 psig) inlet pressure. The H-PCV series electronic pressure control valve is an electronic pressure regulator that delivers stable outlet pressures under varying fuel cell flow demands and inlet pressures. This H-PCV can also be integrated with a low pressure isolation valve such as the H-IVL family, a pressure relief valve (PRV), pressure sensors, filters and other desired options.

- Stable, electronically controlled outlet pressure
- Optional integrated low pressure isolation valve
- Optional integrated pressure sensor
- Optional integrated high flow Pressure Relief Valve (PRV)
- Wide range of pressure ranges available

### 主要特性

H-PCV系列电控调压阀最大入口压力为3Mpa，电控调压可以在不同入口压力和流量需求下提供稳定的出口压力。该调压阀可以集成低压截止阀、压力释放阀、压力传感器、滤清器以及客户定制的其他需求。

- 电控调压，出口压力稳定；
- 可选配集成低压电磁截止阀；
- 可选装压力传感器；
- 可选配集成大流量压力释放阀；
- 出口压力可调范围广。

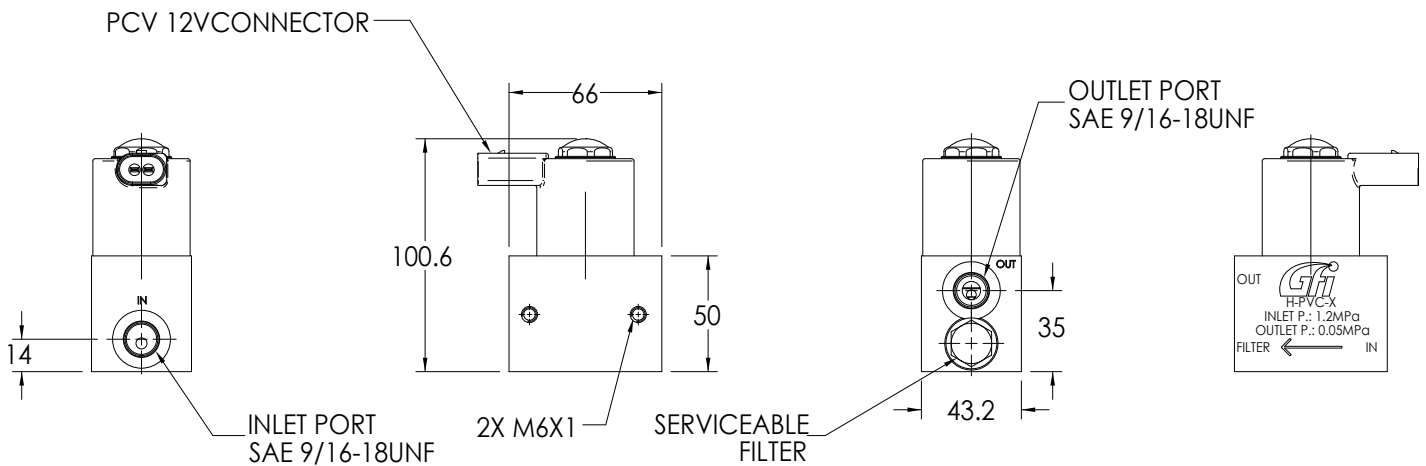


Engineered to meet International Standards and Regulations  
 • Including ANSI HGV 3.1, ECE R134, EC 79/2009, and UN GTR No. 13.

All designs are subjected to rigorous qualification testing  
 • Including long-term endurance cycling, severe vibration, and accelerated cyclic corrosion.

# SPECIFICATIONS 技术参数

H-PCV Series	
<b>GENERAL INFORMATION 基本参数</b>	
APPLICATION 应用	Hydrogen low pressure regulator
DESIGN 设计	Electronically controlled proportional valve
BODY MATERIAL 机体材料	Aluminum, anodized
FUEL TYPE 燃气类型	Hydrogen
<b>PERFORMANCE 性能</b>	
NOMINAL PRESSURE 名义入口压力	Configurable from 0.5 to 3 MPa (g)
REGULATED FLOW RATE 流量	Configurable; > 15 kg/hr hydrogen (@ 20°C)
OUTLET PRESSURE 出口压力	Configurable from 0.2 to 3 barg nominal; electronically controlled
WORKING TEMPERATURE 工作温度	-40°C to 120°C (-40°F to 248°F)
OPTIONAL PRESSURE RELIEF VALVE 全压力阀	Multiple settings available to be determined with customer
OPTIONAL FILTER (REPLACEABLE) 滤芯	40 µm, 99% efficiency 40 µm, 过滤效率99%
OPTIONAL PRESSURE SENSOR 压力传感器	Customer defined
COIL 线圈	12 V, PWM controlled, 5.7 ohm (@ 20°C)
<b>CONNECTIONS 连接</b>	
INLET THREAD TYPE 入口接头规格	9/16" - 18 UNF; other configurations possible
OUTLET THREAD TYPE 出口接头螺纹	9/16" - 18 UNF; other configurations possible



IATF 16949:2016 registered  
a Westport Fuel Systems company

