

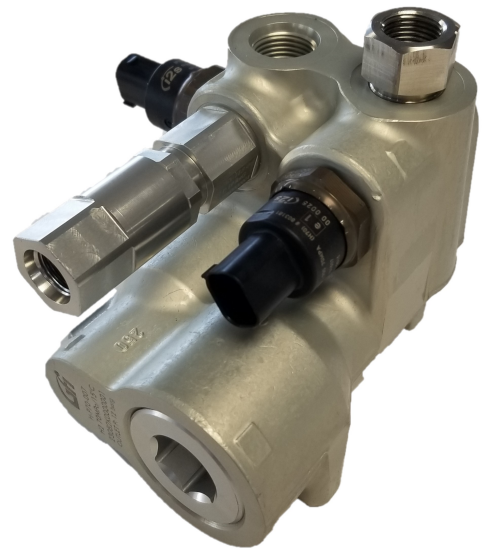
H-P70 Series

70 MPa HYDROGEN PRESSURE REGULATOR

Key Features

Designed for hydrogen applications up to 70 MPa (10,000 psi). The H-P70 Series Regulator delivers stable outlet pressures under varying flow demands, inlet pressures and temperatures. This two-stage piston regulator is a reliable and cost-effective solution to feed any engine or fuel cell. It can also be offered in as a first-stage piston with a second-stage diaphragm for even greater outlet pressure performance and stability.

- 2-Stage piston design for cost effective solution
- Optional first-stage piston and second-stage diaphragm design
- Nominal working pressure of 70 MPa
- Optional integrated shut off valve (SOV), bleed valve (BV) and service valve.
- Optional integrated high and low pressure and temperature sensors
- High flow design capable of >8g/sec H₂
- Integrated high flow Pressure Relief Valve (PRV)
- Wide range of factory set output pressures available



SPECIFICATIONS

H-P70 Series

GENERAL INFORMATION

APPLICATION	Hydrogen regulation / pressure reduction
DESIGN	Two-stage piston, First-stage piston with second stage-diaphragm
BODY MATERIAL	Aluminum, anodized
FUEL TYPE	Hydrogen per SAE J2719 and ISO 14687

PERFORMANCE

NOMINAL WORKING PRESSURE	70 MPaG
MAX WORKING PRESSURE	87.5 MPaG
OPERATING TEMPERATURE	-40 °C to +85 °C
OUTLET PRESSURE	Factory-set, commonly between 0.8 MPaG and 5 MPaG
FILTER	10 micron and 40 micron options available
FLOW RATE	Outlet pressure dependent, capable of > 8g/sec H2

CONNECTIONS

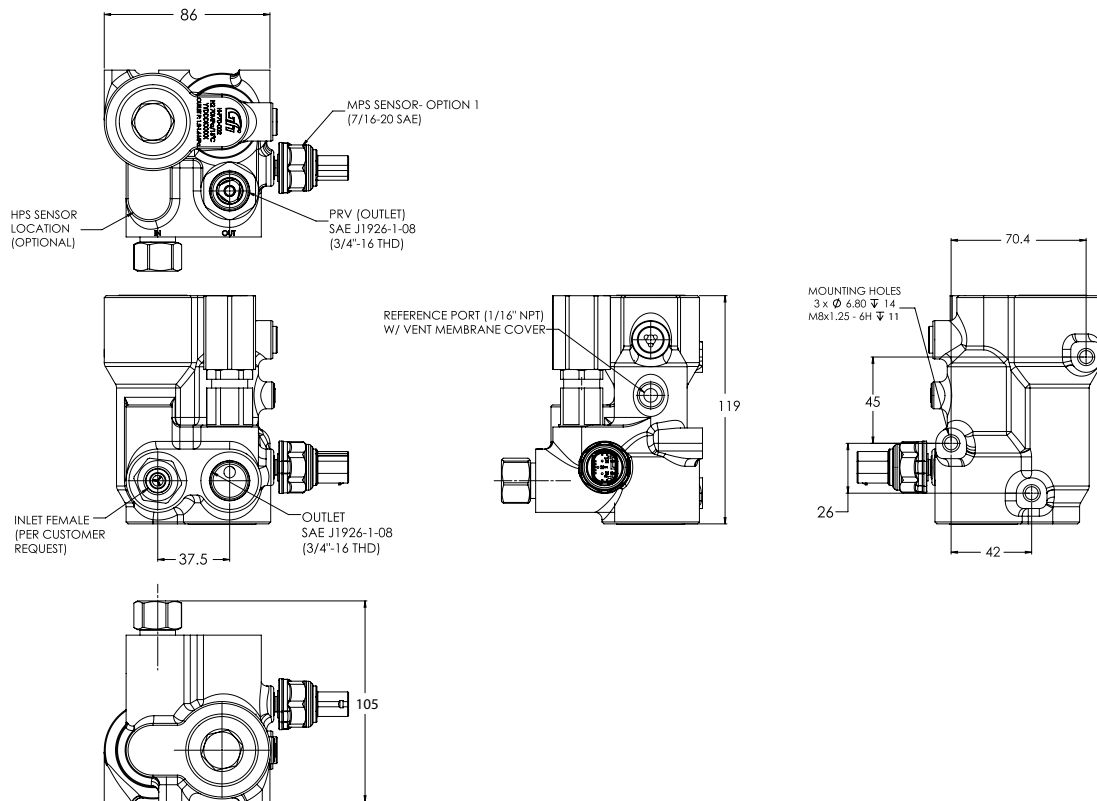
INLET PORT	Can be customized for application
OUTLET PORT	Can be customized for application (3/4"-16 SAE commonly used)
OPTIONAL HIGH AND LOW PRESSURE SENSOR PORT	Customer defined (based on sensor choice)
PRV OUTLET PORT	Can be customized for application (3/4" to 1-1/16" commonly used)

INTEGRATED FEATURES

EXCESS FLOW VALVE (EFV) ACTIVATION SETPOINT	Can be customized for application
PRESSURE RELIEF VALVE (PRV) ACTIVATION SETPOINT	Factory-set, depends on outlet pressure
OPTIONS	HIGH & LOW PRESSURE SENSOR, TEMP SENSOR, BLEED VALVE, SERVICE VALVE and SOV

APPROVALS

APPROVAL/COMPLIANCE	HGV 3.1 and EC 79 PENDING
---------------------	---------------------------



IATF 16949:2016 registered
a Westport Fuel Systems company

