

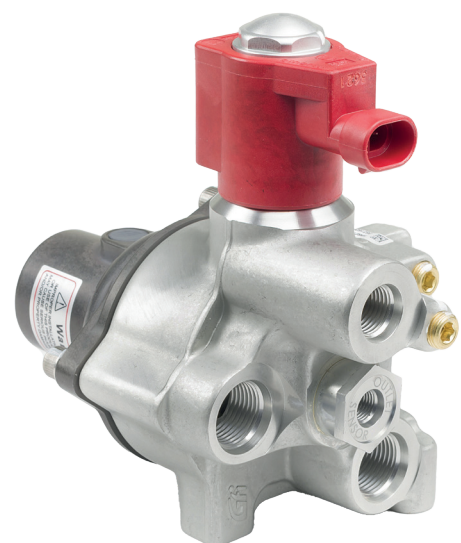
# H-P35 Series

## 35 MPa HYDROGEN PRESSURE REGULATOR

### Key Features

Designed for hydrogen applications up to 35 MPa (5,000 psi). The H-P35 Series Regulator delivers stable outlet pressures under varying fuel cell flow demands and inlet pressures. This regulator benefits from 25 years of evolution in CNG applications in order to be a reliable, cost effective product.

- Balanced design for stable outlet pressure at all tank pressures
- Optional integrated high pressure lock off valve
- Optional integrated high pressure sensor
- Heavy duty design validated to over 1.8 million cycles
- Integrated high flow Pressure Relief Valve (PRV)
- Wide range of factory set output pressures available



# SPECIFICATIONS

## H-P35 Series

### GENERAL INFORMATION

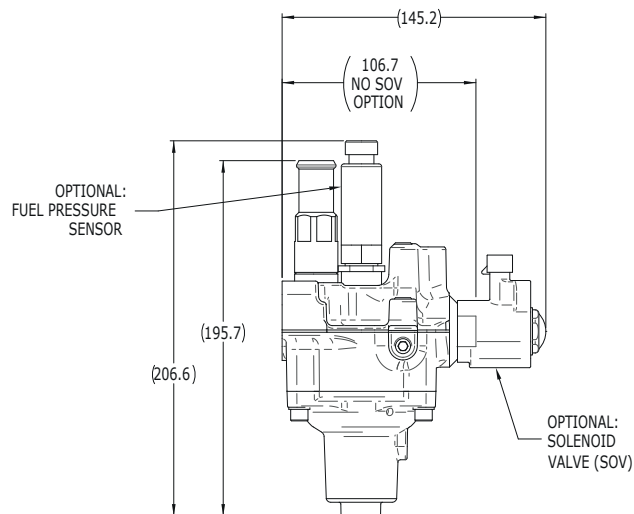
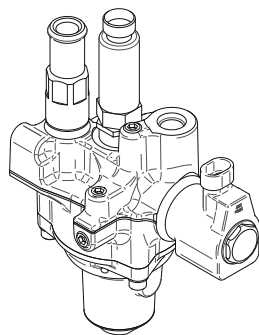
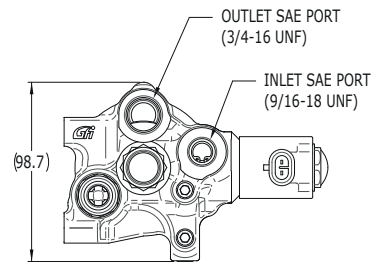
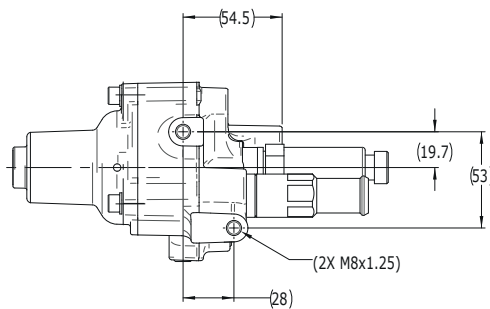
APPLICATION	Hydrogen high pressure regulator		
DESIGN	Balanced single stage, pintle and diaphragm type		
BODY MATERIAL	Forged Aluminum		
FUEL TYPE	Hydrogen		

### PERFORMANCE

NOMINAL WORKING PRESSURE	35 MPa (5,000 psi)		
REGULATED FLOW RATE	Up to 9 g/s Hydrogen		
OUTLET PRESSURE	Factory adjustable: 200 to 1,600 kPa (29 to 232 psig)		
OPERATING TEMPERATURE	-40 °C to 85 °C		
PRESSURE RELIEF VALVE	Multiple settings available between 300 and 2,500 kPa (43 to 363 psig)		
FILTER (REPLACEABLE)	40 µm, 99% efficiency		
PRESSURE SENSOR	Optional (Customer defined); Inlet Sensors and/or Outlet Sensors Available		
SOLENOID	Voltage	12 V	24 V
	Current draw	1.14 A	0.54 A
	Control	Saturated	

### CONNECTIONS

INLET THREAD TYPE	9/16" - 18 UNF		
OUTLET THREAD TYPE	3/4" - 16 UNF		
PRV INTERFACE	9/16-18 UNF-2B; others available		
ELECTRICAL CONNECTOR (solenoid)	Mating connector: AMP Superseal 1.5, 2 pin; 282080-1		



IATF 16949:2016 registered  
a Westport Fuel Systems company

