

Isolation Valve Series

2 MPa & 35 MPa HYDROGEN SOLENOID ISOLATION VALVE

Key Features

GFI's low pressure and high pressure isolation valve family are rated at 2 MPa (g) and 35 MPa (g) inlet pressure and carry's over proven solenoid technology from other products.

Like all GFI products, these offer superior performance and industry renowned reliability.

Valve bodies include mounting holes and 9/16 SAE inlet/outlet ports for easy system integration.

Options include 12 V or 24 V coil and an integrated filter.

Each valve is 100% functionally tested, Helium leak checked and serialized for complete traceability.

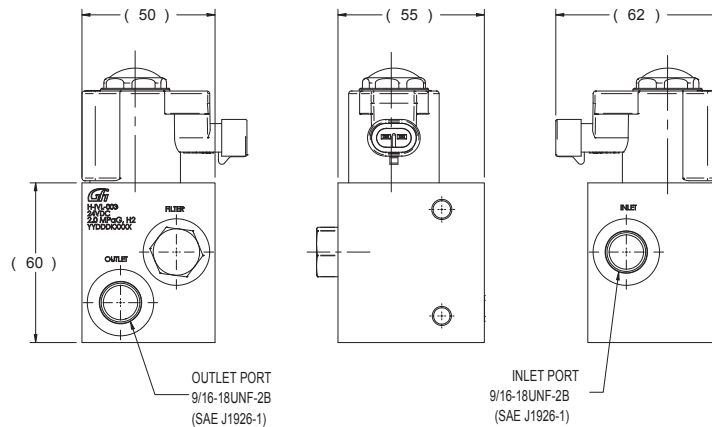
- Working pressure up to 2 MPa (g) and 35 MPa (g)
- Available in both 12 and 24 volt coils
- Fast response time
- High flow rate with low pressure drop
- Proven solenoid design
- Optional 10 or 40 micron filter



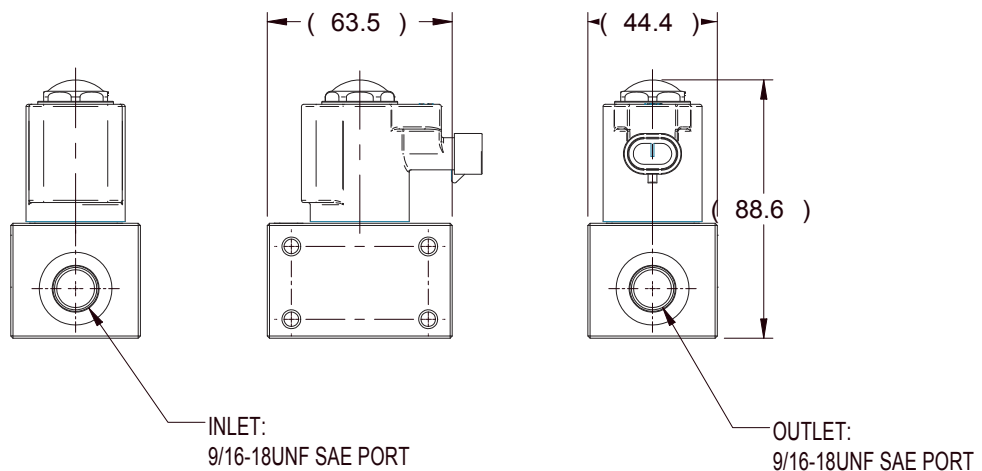
SPECIFICATIONS

	H-IVL	H-IV35
GENERAL INFORMATION		
APPLICATION	Inline pressure isolation valve	
BODY MATERIAL	Machined Aluminum, anodized	
FUEL TYPE	Hydrogen	
PERFORMANCE		
NOMINAL WORKING PRESSURE	N/A	35 MPaG
MAX WORKING PRESSURE	2.08 MPaG	43.8 MPaG
OPERATING TEMPERATURE	-40 °C to +85 °C	
Cv - FLOW RATE	0.75	0.49
ELECTRICAL		
COIL NOMINAL VOLTAGE	12 V	24 V
NOMINAL COIL RESISTANCE AT 20 °C	10.5 Ω	44 Ω
COIL NOMINAL POWER AT 20 °C	13.7 W	13 W
CONNECTIONS		
SOLENOID	Mating connector: AMP Superseal 1.5, 2 pin; 282080-1	
INLET/OUTLET PORT TYPE	9/16-18 UNF-2B; others possible	
OPTIONS	A) Filter; B) Pressure sensor port	

H-IVL



H-IV35



IATF 16949:2016 registered
a Westport Fuel Systems company

