

H-ITVR-70 Series

70 MPa TANK VALVE WITH INTEGRATED REGULATOR

Key Features

The 70 MPa H-ITVR simplifies fuel cell systems and reduces costs by providing a regulated low pressure output directly from the tank. This design combines GFI's 70 MPa tank valve technology with their regulator technology in order to provide a compact, integrated system. For multi-tank systems, a single H-ITVR-70 can be used to regulate the pressure down for the entire tank system, further reducing the system cost.

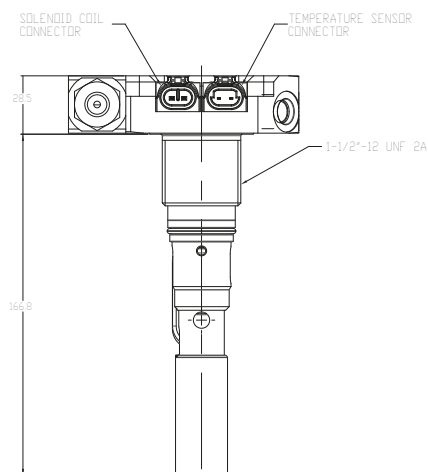
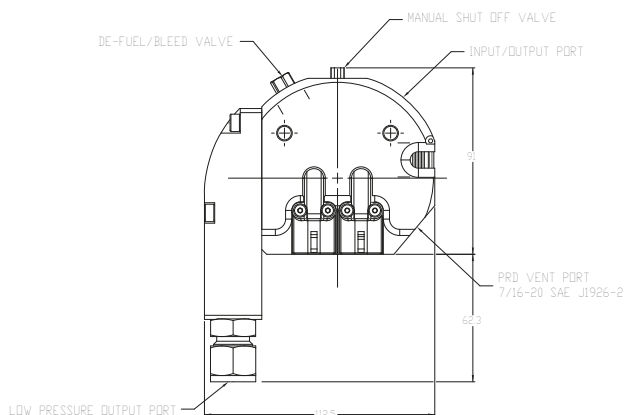
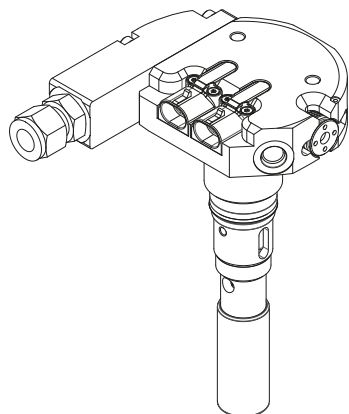
- Based on GFI's successful family of internal solenoid tank valves
- The solenoid lock off is located inside the cylinder, providing real crash and environmental protection
- Pipe away T-PRD
- Internal temperature sensor
- Integrated bleed valve (BV) and manual valve (MV)
- 12 V and 24 V solenoid coils available
- 70 MPa service pressure
- Integrated, serviceable regulator, aluminum body
- Optional pressure sensor



SPECIFICATIONS

H-ITVR-70 Series

GENERAL INFORMATION			
APPLICATION	Hydrogen 70 MPa Tank Valve		
DESIGN	Automatic valve, internal solenoid		
BODY MATERIAL	Tank valve: aluminum (SS possible); Regulator: aluminum (SS possible)		
FUEL TYPE	Hydrogen		
PERFORMANCE			
RESPONSE TIME	< 750 ms		
T-PRD OPERATION	110 +/- 5°C		
SERVICE PRESSURE	70 MPa (10,152 psi)		
OPERATING TEMPERATURE	-40°C to 85°C (-40°F to 185°F)		
OUTLET PRESSURE	Factory adjustable: 1.2 to 5 MPa (g)		
OPTIONS	PRV, Filter, Pressure Sensor Ports		
ELECTRICAL (to be confirmed)	Coil model	12 V	24 V
	Minimum opening voltage	8 V	16 V
	Nominal voltage	12 V	24 V
	Nominal current draw	0.62 A	0.33 A
	Thermistor R25C	10,000 ohms +/- 2%	
	Thermistor Type	NTC	



IATF 16949:2016 registered
a Westport Fuel Systems company



All rights reserved. 300049_REV B All information is subject to change without notice. Images for illustration purposes only, may not reflect configuration provided.